

# ASYM 3P



## features:

- simple trouble free use
- next generation efficiency
- very high sound pressure levels
- superb clarity
- compact size and weight
- stack stand fly ability
- hand crafted



A self powered 3 way enclosure capable of delivering an incredible 127 dB of sound with truly awe inspiring audio quality across the full frequency range.

Simple trouble free use is assured as the internal UK built amplifier means no external processing and matched amplifier to driver reliability every time. Integral in the amplifier is a state of the art microprocessor that constantly monitors performance and safety preventing overheating or quality loss even in the most testing conditions.

The ASYM 3 P incorporates many of Noise Control Audio's next generation of design improvements all aimed at our shared goal of sonic perfection.

Asymmetry in the internal construction flattens the problematic standing waves associated with distortion in conventional designs.

The mid/high drivers are a dual concentric (point source) cluster also self contained in an asymmetrical enclosure and an in-house crossover is fine tuned to time align the offset between the drivers.

High frequencies pass through a bespoke, 3rd generation "BUGLE"™ designed to reduce phase cancellation and further enhance the character of sound.

## applications:

- indoor
- install / tour / hire
- front of house
- club and venue
- event and conferencing

## permanent installations in:

- auditoriums
- theatres
- clubs and bars
- places of worship



## ASYM SERIES ASYM3P

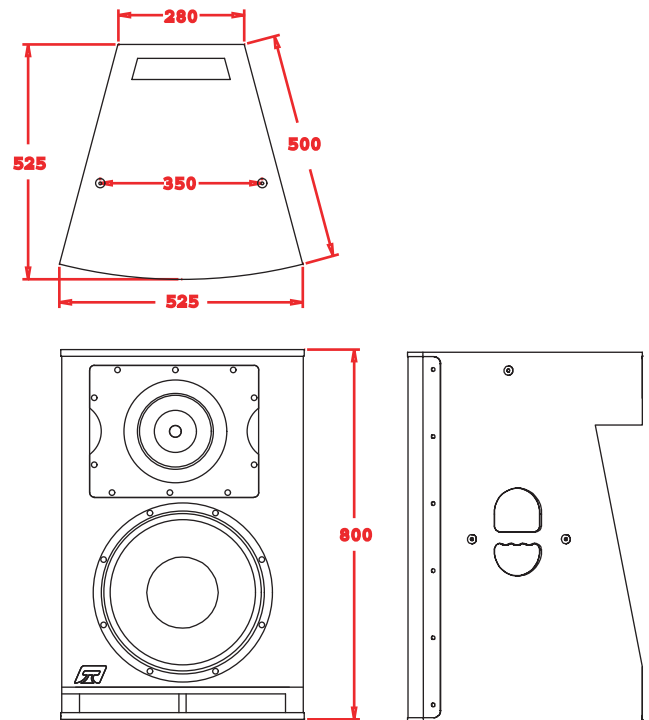


### specifications

Type	ACTIVE 3 WAY FULL RANGE	
	LF	M/HF
Driver	15" NEO	8"1" NEO CO-AX
Power	1000W	300W
Usable frequency range	40HZ-20kHz +-3dB	
Dispersion	90 degrees	
Maximum SPL	127dB	
Internal Amplifier		
User Presets	PO full range P1 bass cut P2 bass boost	
Connections	Power 240/110	powercon
	Line Input	xlr
	Network	RS485
	Updates	USB
Weight	42kg	
Dimensions /mm	Height	800
	Width (front)	525
	Width (rear)	280
	Depth	525
Construction	Hand crafted in 18mm birch ply NCA green durable coating STACK-STAND-FLY capable	



### overall dimensions



World HQ: Unit 7 Lockwood Ind. Park, Mill Mead Road, London, N17 9QP. U.K.

tel: +44 (0) 208 808 1923

skype: NoiseControlHQ

email: info@NoiseControlAudio.com

ASYM3P amplifier panel

